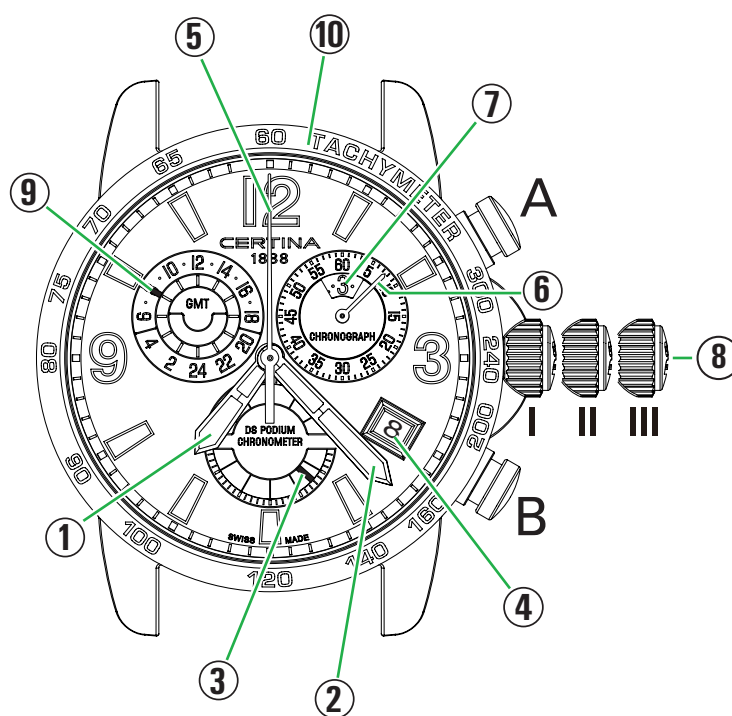


# PRECIDRIVE GMT Quartz Chronographs

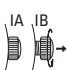
## User's Manual



### Displays and functions

- ① Hour hand
- ② Minute hand
- ③ Seconds hand
- ④ Date indicator
- ⑤ Seconds hand (chronograph)
- ⑥ 60-minute counter (chronograph)
- ⑦ 12-hour counter (chronograph)
- ⑨ GMT display (2<sup>nd</sup> time zone - 24 hours)
- ⑧ 3-position crown:
  - I Rest position (screwed in\*, not pulled out)
  - II Date setting position (unscrewed\*, half pulled out)
  - III Time setting position (unscrewed\*, completely pulled out)
- ⑩ Tachymeter scale
- A A. START/STOP pusher
- B SPLIT/Reset pusher

**\* Models with screw-in crown:**



**IA** Initial position (screwed in, not pulled out)  
**IB** Neutral position (unscrewed, not pulled out)

## Congratulations!

We congratulate you on choosing a chronograph from CERTINA®, a Swiss brand among the most highly renowned in the world. Meticulously designed, using only the highest quality materials and components, it is protected against impacts, temperature variations, water, dust and also features the **DS** concept.

This user manual applies to CERTINA® quartz chronographs equipped with the PRECIDRIVE G10.962 BF GMT movement. For the settings and operation of your PRECIDRIVE chronograph, please refer to the instructions below.

Your PRECIDRIVE chronograph allows you to time events lasting up to 12 hours, and offers you the following functions:

- Standard chronograph START–STOP function
- ADD function (partial times)
- SPLIT function (intermediate times)

To ensure that your chronograph operates with perfect precision for many years to come, we advise you to pay careful attention to the advice given in this user manual.

The **DS** (Double Security) concept is characterised by:

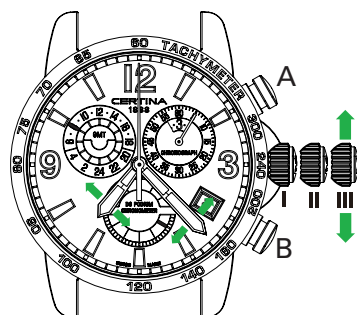
- extreme impact resistance,
- an ultra-resistant sapphire crystal,
- a gasket inside the crown and a gasket around the winding stem guaranteeing the water resistance of the watch even when the crown is pulled out,
- a reinforced case back.

## Settings

### Models with screw-in crown

To ensure even better water resistance, some models are fitted with a screw-in crown (**8**). Before setting the time or date, you must first unscrew the crown to position **IB**, before pulling it out to position **II** or **III**.

**Important: After each operation, you must always screw the crown back in to ensure that your watch remains water-resistant. You are advised not to operate the crown (8) underwater.**



### Setting the time

Pull the crown (**8**) out to position **III**; the seconds hand (**3**) will stop and the chronograph seconds hand (**5**) will complete a rotation of the dial (entering setting mode). Turn the crown (**8**) clockwise or anticlockwise to set the desired time, and then push it back into the rest position **I**. When the hour hand (**1**) passes the 12 o'clock position, you can see whether it is indicating midnight (the date will change) or midday (the date will not change).

### Advice for synchronising your watch

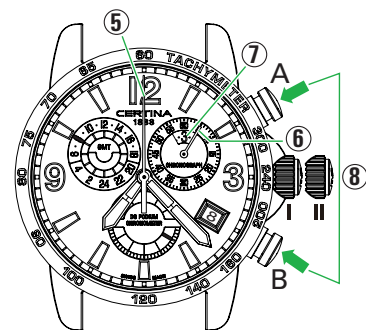
To synchronise the seconds hand (**3**) with an official time signal (radio/TV/Internet), pull the crown (**8**) out to position **III**; the seconds hand (**3**) will stop. At the tone, push the crown (**8**) back into the rest position **I**.

### Rapid date correction

Pull the crown (**8**) out to position **II**. The chronograph seconds hand (**5**) will complete a rotation of the dial (entering setting mode). Turn the crown (**8**) anticlockwise until the desired date is displayed.

### Tachymeter scale (depending on model)

The tachymeter scale enables you to measure the average speed of a moving object. Start timing by pressing pusher (**A**), and then stop by pressing pusher (**B**) once a distance of 1 km has been reached. The chronograph seconds hand (**5**) will be pointing to the tachymeter scale, indicating the speed in km/h.



## Resetting the chronograph counters

If necessary, the chronograph counters (**5**, **6**, **7**) must be reset before starting timing. Proceed as follows: pull the crown (**8**) out to position **II**; the chronograph seconds hand (**5**) will complete a rotation of the dial (entering setting mode). Every time pusher (**A**) is pressed, a different hand will be activated, and it can be returned to its start position by repeatedly pressing pusher (**B**). When pusher (**B**) is held down, the hand rotation speed will increase.

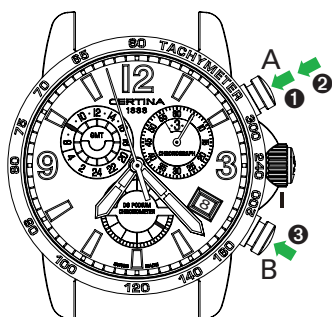


Fig. 1

## Simple timing

The "simple timing" function enables you to measure individual events.

- A** START
- A** STOP
- Time readout (as per Fig. 3)**
  - 3 hours
  - 5 minutes
  - 57 seconds

- B** Reset

**NB:** Before each timing operation, the chronograph hands must be at their start points. If necessary, refer to the **RESETTING THE CHRONOGRAPH COUNTERS** paragraph.

**Note:** All the timing functions are available with the crown pressed into the rest position **I**.

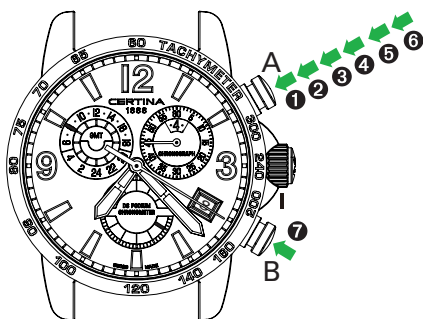


Fig. 2

## ADD function

The **ADD** function enables you to measure consecutive events without having to reset in between. Each time is added to the previous total.

- A** START
- A** STOP **Readout**
- A** RESTART
- A** STOP **Readout**
- A** RESTART
- A** STOP **Readout**
- B** Reset counters

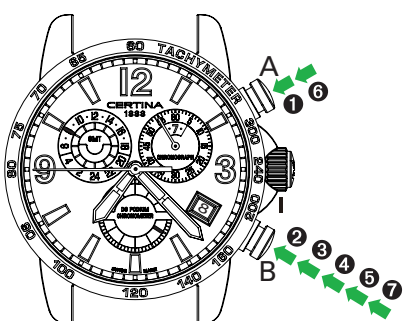
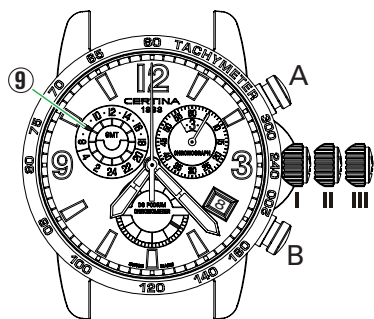


Fig. 3

## SPLIT-TIME function

The **SPLIT-TIME** function enables you to stop the hands to read an intermediate time without interrupting the timing. When you restart, the chronograph hands "catch up" to the ongoing elapsed time.

- A** START
- B** SPLIT 1
- Time 1 readout (as per Fig. 1)**
  - 3 hours, 5 minutes, 57 seconds
- B** RESTART (catchup)
- B** SPLIT 2
- Time 2 readout (as per Fig. 2)**
  - 4 hours, 45 minutes, 20 seconds
- B** RESTART (catchup)
- A** STOP
- Final time readout (cumulative time) (as per Fig. 3)**
  - 7 hours, 55 minutes, 45 seconds
- B** Reset counters



## Setting the 2<sup>nd</sup> time zone

Pull the crown out to position **III**, and press pusher **(A)** to turn the 2<sup>nd</sup> time zone hand **(9)** clockwise, or press pusher **(B)** to turn it anticlockwise.

## Technical information

### Winding

Quartz watches do not need to be wound.

### PRECIDRIVE

PRECIDRIVE quartz chronographs, from CERTINA®, can boast not only the incomparable precision of quartz, but also their temperature variation compensated (thermo-compensated) rate, making them insensitive to moisture. This enables them to achieve a precision of around +/-10 seconds per year (under normal conditions of use).

### EOL function - (End of Life)

When the seconds hand **(3)** is jumping every 4 seconds, your chronograph is telling you that the battery has reached its end of life, and will soon need to be replaced.

## Care and maintenance

We would advise you to clean your chronograph regularly (except for the leather strap) using a soft cloth and lukewarm soapy water. After immersion in salt water, rinse it in fresh water and leave it to dry completely.

Do not leave it anywhere subjected to high variations in temperature or humidity, direct sunlight or strong magnetic fields.

We would advise you to have your watch inspected every 3 to 4 years by an approved CERTINA® representative or retailer. To enjoy impeccable maintenance service and ensure the guarantee remains valid, always consult an approved CERTINA® representative or retailer.

If you plan not to wear your chronograph for several weeks or months, we would advise you to store it with the crown **(8)** pulled out to position **III**. This cuts the electrical power supply to the motor, thereby extending battery life considerably.

### Replacing the battery

The autonomy of a PRECIDRIVE chronograph from CERTINA® is generally more than 2 years in continuous use. Once the battery has been drained, it must be replaced without delay by an approved CERTINA® representative or retailer.

**Battery type:** silver oxide and zinc button cell, 1.55 V, No. 394, SR 936 SW.

### Collection and treatment of end of life quartz watches\*



This symbol indicates that this product should not be disposed of as household waste. It must be returned to an approved collection point. By following this procedure you will contribute to safeguarding the environment and human health. Recycling the materials will help to conserve natural resources.

\* valid in EU member states and in any countries with corresponding legislation.